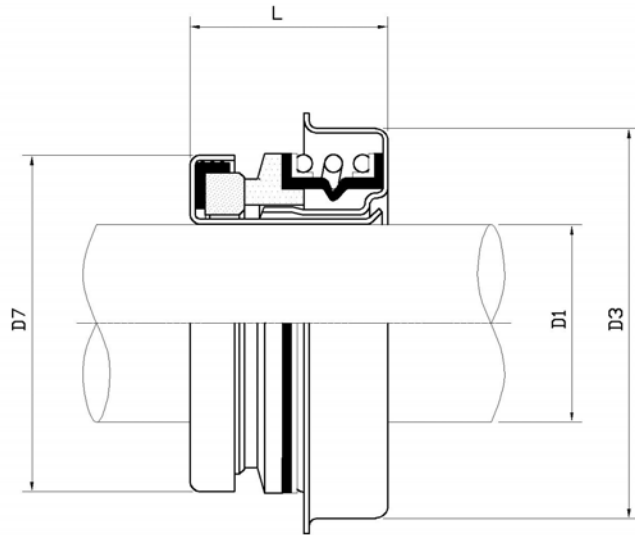


MS68U



Design Features

Unitised design

Operating Conditions

Temperature: -30°C to +100°C

Pressure: Up to 4 bar , 60 psi

Speed: up to 5m/s, 9000fpm

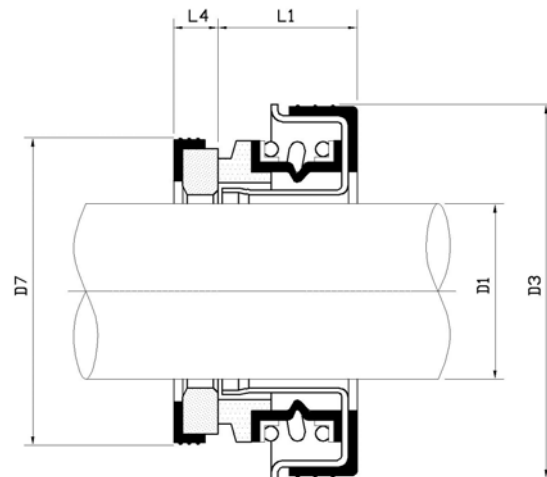
Materials available

carbon-ceramic-nitrile

Equivalent to T6A, T68

D1	D3	D7	L
12	28.50	25.0	17.50
12	30.00	26.0	17.50
16	36.50	28.5	19.00
20	40.00	36.8	22.50

MS68C



Design Features

stationary seal design to run at higher operating speed

Operating Conditions

Temperature: -30°C to +180°C
(Depending on materials used)

Pressure: Up to 4 bar, 60 psi

Speed: up to 5m/s, 9000fpm

Materials available

Seal face: carbon, ceramic, sic

Elastomer: nitrile, viton

Equivalent to

T6A, T68, T7, T790, BO3

D1	D3	D7	L1	L4
10	27	23	14.0	4
12	32	25	14.2	5
16	41	31	16.8	5
20	45	35	17.5	5
25	52	44	20.0	11
30	58	48	21.0	8